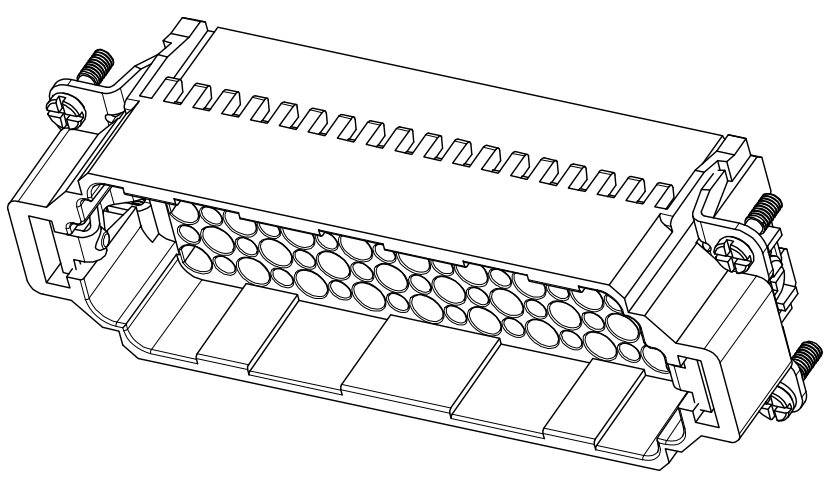
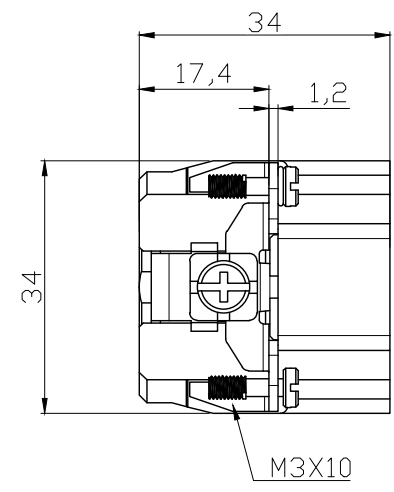
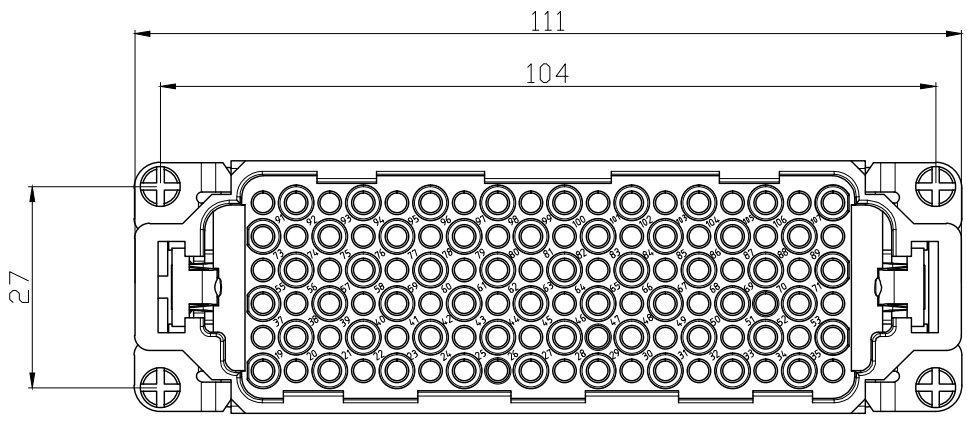

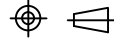



| REVISION RECORD |     |             |      |      |
|-----------------|-----|-------------|------|------|
| REV             | ECN | DESCRIPTION | DRFT | DATE |



|                |   |  |  |                      |       |
|----------------|---|--|--|----------------------|-------|
| DETACHED LISTS | PART NO:  |  浙江昊科电气有限公司<br>ZHEJIANG HAOKE ELECTRICAL CO., LTD |  |                      |       |
|                | APPD:   | NAME: HDD-108-MC   |  |                      |       |
|                | CHKD:   | TITLE: ASSEMBLY DRAWING  |  | REV                  | HK-1  |
|                | DRFT:   | DRAWING NO: HDD-108-MC   |  | SHEET                | 1/1   |
|                | <br>THIRD ANGLE PROJECTION |  | <br>MM (INCH) | DO NOT SCALE DRAWING | SCALE |