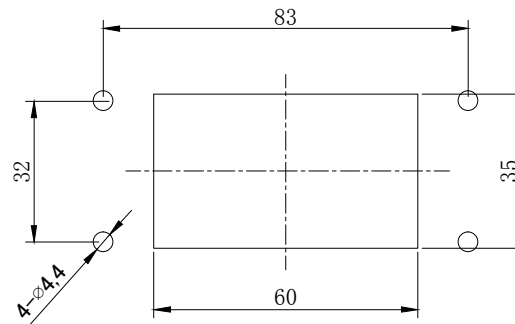
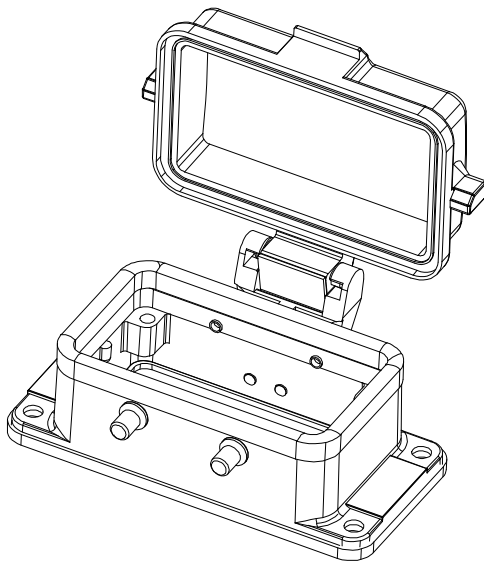


- 技术参数:
- 材料: 压铸铝
  - 盖子材料: PC
  - 表面处理: 粉末喷涂
  - 颜色: Grey (灰色)
  - 温度范围: -40°C - +125°C
  - 防护等级: IP65 (联锁状态, IEC 60529)
  - 出线方向: 底部出线
  - 密封元件: NBR



面板开孔图  
Panel cut out

- Technical specification:
- Material: Aluminium die-cast
  - Material, cover: PC
  - Surface: powder-coated
  - Colour: (grey)
  - Temperature range: -40°C - +125°C
  - Degree of Protection: IP65 (acc.to IEC 60529 for coupled connector)
  - Cable entry: bottom entry
  - Hoods/Housings sealing: NBR

<b>ZJKK</b> 浙江昊科电气有限公司 ZHEJIANG HAOKE ELECTRICAL CO., LTD		图号 Drawing No:		/			
产品代号 Part Code:		H10B-BK-4B-CV		产品料号 PART NO: 09300100302			
Date:	2018.08.23	Scale	REV	Weight	Qty	Drawn:	SHEET
	All Dimensions in mm Original Size DIN A 4	1:1.5	HK-1	/	/	Tang	1/1