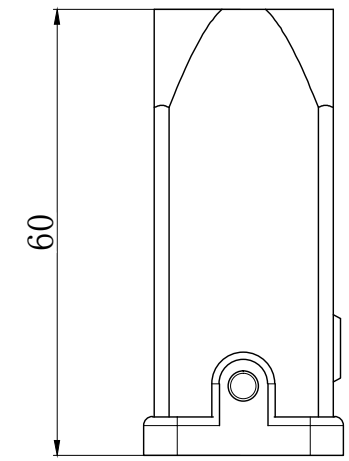
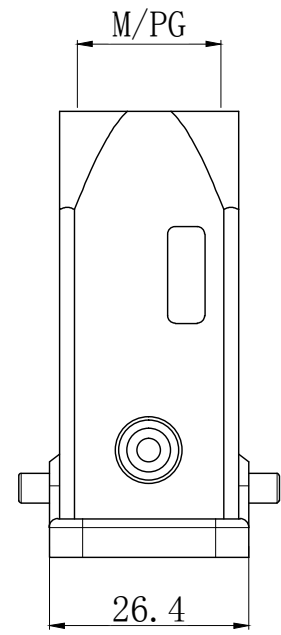
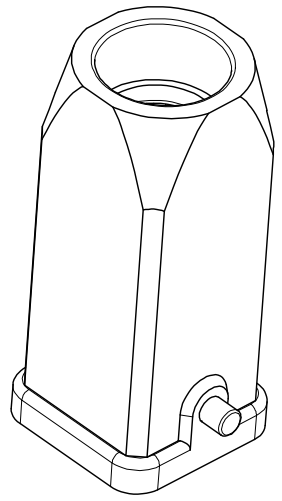
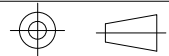



8 7 6 5 4 3 2 1

REVISION RECORD				
REV	ECN	DESCRIPTION	DRFT	DATE



DETACHED LISTS	PART NO:		 浙江昊科电气有限公司 ZHEJIANG HAOKE ELECTRICAL CO., LTD		
	APPD:		NAME: H3A. P-TE-2B-M20/PG11		
	CHKD:				
	DRFT: 2017/08/27		TITLE: ASSEMBLY DRAWING	REV	HK-1
	 THIRD ANGLE PROJECTION		DRAWING NO: H3A. P-TE-2B-M20/PG11	SHEET	1/1
			DO NOT SCALE DRAWING	SCALE	1:1

8 7 6 5 4 3 2 1

H  
G  
F  
E  
D  
C  
B  
A

H  
G  
F  
E  
D  
C  
B  
A