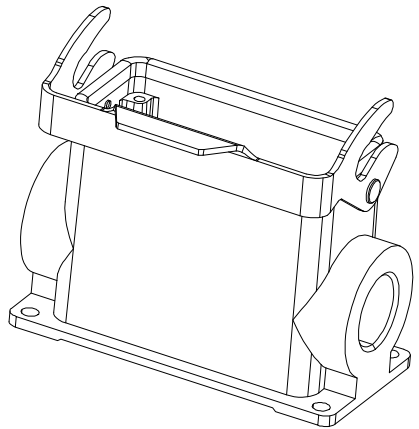
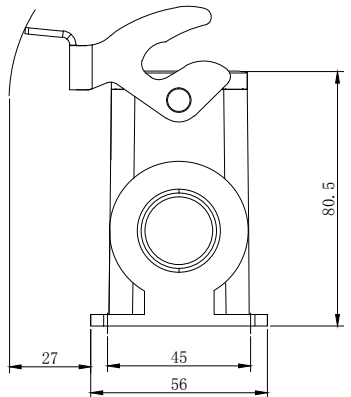
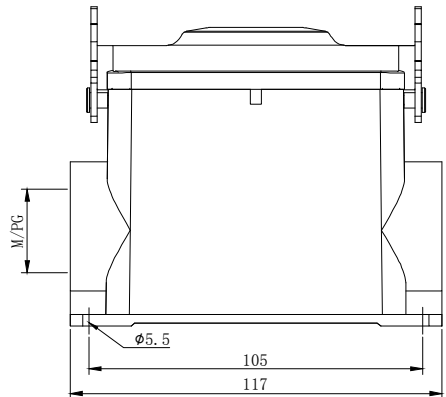


序号	型号 (Type)	料号 (PART NO)	螺纹规格 Thread size
1	H16B-SFH-1L-M32	19300160252	M32
2	H16B-SFH-1L-PG21	09300160250	PG21
3	H16B-SFH-1L-PG29	09300160251	PG29



技术参数:  
 - 材料: 压铸铝  
 - 表面处理: 粉末喷涂  
 - 颜色: Grey (灰色)  
 - 温度范围: -40℃ - +125℃  
 - 防护等级: IP65 (联锁状态, IEC 60529)  
 - 联锁元件:  
   锁扣方式: 单扣  
   材料: 金属 (铁) 镀锌  
 - 出线方向: 侧出线  
 - 出线孔数: 1  
 - 螺纹规格: M/PG  
 - 密封元件: NBR

Technical specification:  
 - Material: Aluminium die-cast  
 - Surface: powder-coated  
 - Colour: (grey)  
 - Temperature range:  
   -40℃ - +125℃  
 - Degree of Protection: IP65  
 (acc.to IEC 60529 for coupled connector)  
 - Locking element:  
   locking type: single locking latch  
   material: metal galvanized/nickel plating  
 - Cable entry: side entry  
 - No. of cable entries: 1  
 - Thread size: M/PG  
 - Hoods/Housings sealing: NBR

浙江昊科电气有限公司 ZHEJIANG HAOKE ELECTRICAL CO.,LTD		图号 Drawing No:		/			
产品代号 Part Code:		H16B-SFH-1L-M/PG		产品料号 PART NO:		/	
Date:	2018.08.16	Scale	REV	Weight	Qty	Drawn:	SHEET
	All Dimensions in mm Original Size DIN A 4	1:2	HK-1	/	/	Tang	1/1