

8

7

6

5

4

3

2

1

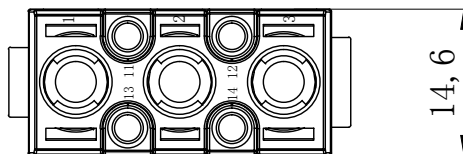
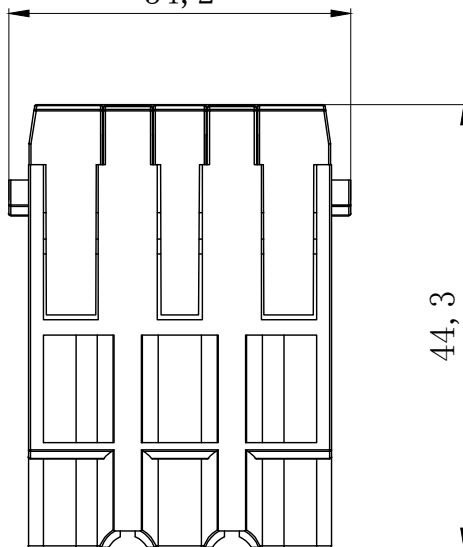
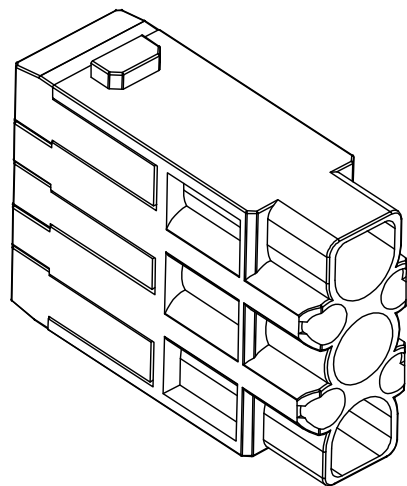
REVISION RECORD

REV	ECN	DESCRIPTION	DRFT	DATE
-----	-----	-------------	------	------

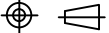
34,2

44,3

14,6



DETACHED LISTS

PART NO:	 浙江昊科电气有限公司 ZHEJIANG HAOKE ELECTRICAL CO.,LTD			
APPD:	NAME: HMK-003/4-MC			
CHKD:				
DRFT: QWF 2017/10/27	TITLE: ASSEMBLY DRAWING		REV	HK-1
 THIRD ANGLE PROJECTION	DRAWING NO: HMK-003/4-MC		SHEET	1/1
	 MM (INCH)		DO NOT SCALE DRAWING	SCALE 1.5:1

8

7

6

5

4

3

2

1

H
G
F
E
D
C
B
A

H
G
F
E
D
C
B
A